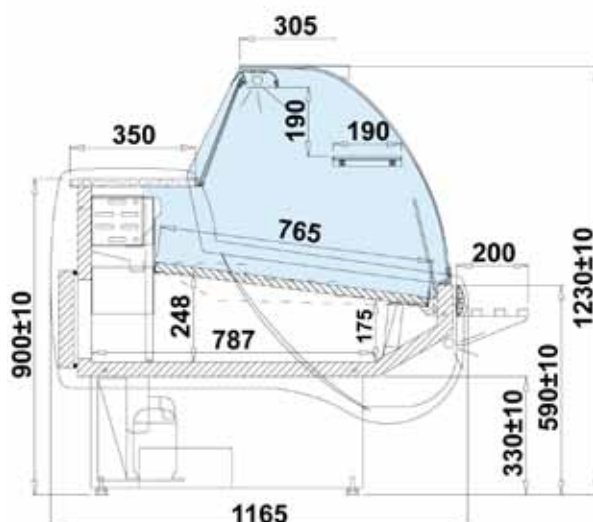


## Refrigerated Serve Overs - I-Basia 2 V



I-Basia 2 V\*

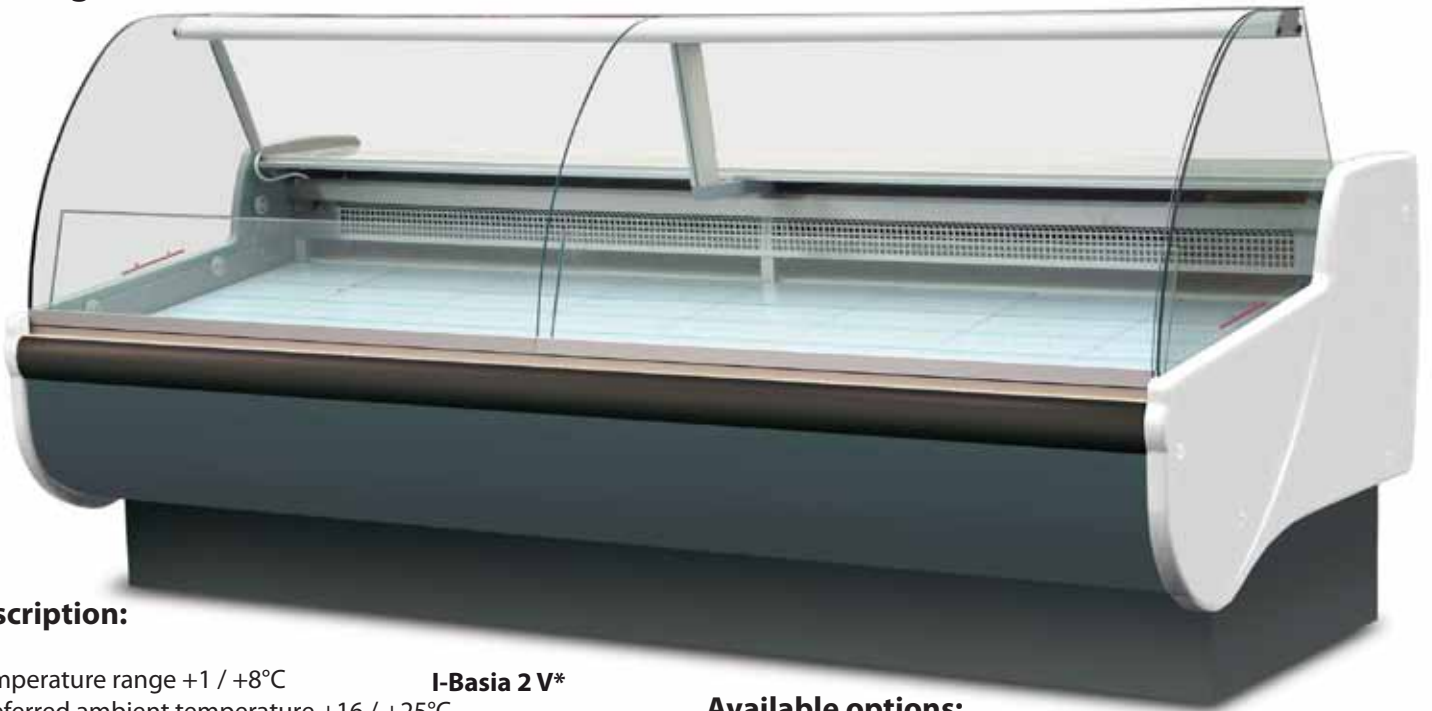


### Technical parameters:

Model	Dimension (ext.) H x W x D [mm]	Display surface [m <sup>2</sup> ]	Power Consumption [kWh/24h]	Weight [kg]
I-Basia 2/1.1 V	1230 x 1040 x 1165	0,80	3,70	140
I-Basia 2/1.4 V	1230 x 1370 x 1165	1,00	3,80	160
I-Basia 2/1.7 V	1230 x 1670 x 1165	1,20	4,90	190
I-Basia 2/2.0 V	1230 x 2000 x 1165	1,50	5,20	215
I-Basia 2/2.5 V	1230 x 2540 x 1165	1,90	7,10	290
I-Basia 2/3.0 V	1230 x 2960 x 1165	2,30	9,20	355
I-Basia 2/3.3 V	1230 x 3260 x 1165	2,40	14,40	380
I-Basia 2/3.75 V	1230 x 3830 x 1165	2,90	15,10	430

\* - Picture above presents unit with either some or all available extras. Please note that the look of basic version of cabinet, or one of your choice, may vary from presented.

## Refrigerated Serve Overs - I-Basia 2 V



### Description:

- temperature range +1 / +8°C
- preferred ambient temperature +16 / +25°C
- power supply 230V / 50Hz
- internal condensing unit
- ecological polyurethane insulation
- external housing made of white coated steel - from staff side
- base and front made of powder coated steel - white
- aluminium glass frames colour - choice of colours
- plastic front bumper - choice of colours
- display deck depth 765mm
- exposition surface made of powder coated steel (white colour)
- refrigerated under-storage made of powder coated steel (white)
- 350mm width stainless steel worktop
- electronic control with temperature display
- automatic defrost system
- forced air circulation
- curved front glass
- interior LED lighting in white colour
- water condensate tray
- ABS side walls (40mm thick) - choice of colours
- 1 year full warranty service and after warranty service provided

### I-Basia 2 V\*

### Available options:

- multiplexing
- prepared to work with external condensing unit
- external housing made of stainless steel (staff side)
- front panel colour - optional colours
- base colour - optional colours
- front panel made of stainless steel
- base made of stainless steel
- illuminated front panel (LED perspex squares, different colours)
- exposition area stepped (2 steps)
- exposition area stepped (3 steps)
- exposition area made of stainless steel
- exposition area made of acid resistant stainless steel
- storage chamber made of stainless steel
- storage chamber made of acid resistant stainless steel
- powder painted evaporator
- worktop made of granite (grey) 20mm thick
- worktop made of granite (blamoral) 20mm thick
- worktop made of granite (black) 20mm thick
- perspex blinds
- LED light colour (meat)
- LED light colour (confectionary)
- additional exposition glass shelf (ambient)
- customer front shelf (aluminium profile gold or silver colour)
- set of wheels (castors)
- movable partition (glass on stands, placed in exposition area)
- fixed top partition (high glass fixed in exposition area)
- automatic condensate evaporation (internal condensing unit only)
- analog thermometer
- socket with fuse


### Choice of colours:

Side walls colours: 

Bumper colours: 

Aluminium frames colours: 

### Optional colours:

Granites: 

Front colours: 

Base colours: 

\* - Picture above presents unit with either some or all available extras. Please note that the look of basic version of cabinet, or one of your choice, may vary from presented.